

Optical Fiber Cable Distribution Box - FDB003 Technical Specification

Overview

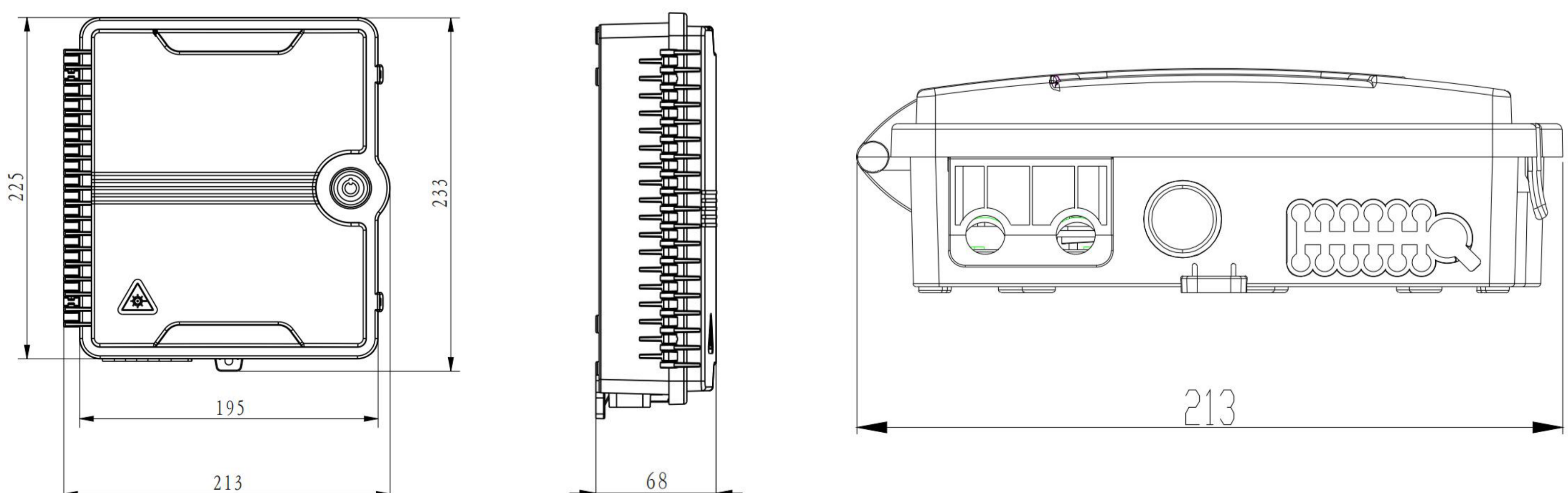
DRAKO Model No. FDB003 can connect the drop cable with feeder cable as the termination point in the Fttx network, which is cable to meet at least 8 users requirements. It can help splicing, splitting, storage and management with suitable space.

Technical Index



| | |
|-----------------------------|--|
| Model No. | FDB003 |
| Capacity | 8cores |
| Material | PC+ABS, ABS |
| Dimension(L*W*D,MM) | 233*213*68 |
| Color | Black, Grey White.. |
| Protection Level | IP55 |
| Flame retardant performance | Non-flame retardant |
| Splitter | Can be with 1x1:8 Module Type Splitter |

The dimension diagram:(mm)



Features

- * The body is made of high quality engineering plastic with good strength;
- * With safe special-shaped lock, the box can be opened easily and has good water-proof performance, suitable for indoor and outdoor natural environments.



- * With double-page design, the box can be installed and maintained easily, the fusion and termination are completely separated;

- * The drop leaf can be installed 1 pcs of 1*8 Module Type Splitter.



Package Information

- 1 - Plastic bag size: 320*270mm
- 2 - Inner box with single corrugated size: 240*220*75mm
- 3 - Carton with double corrugated size: 455*495*390mm(20PCS/Box)
- 4 - Weight per carton: 16KG.