

Optical Fiber Cable Distribution Box - FSC010 Technical Specification

Overview

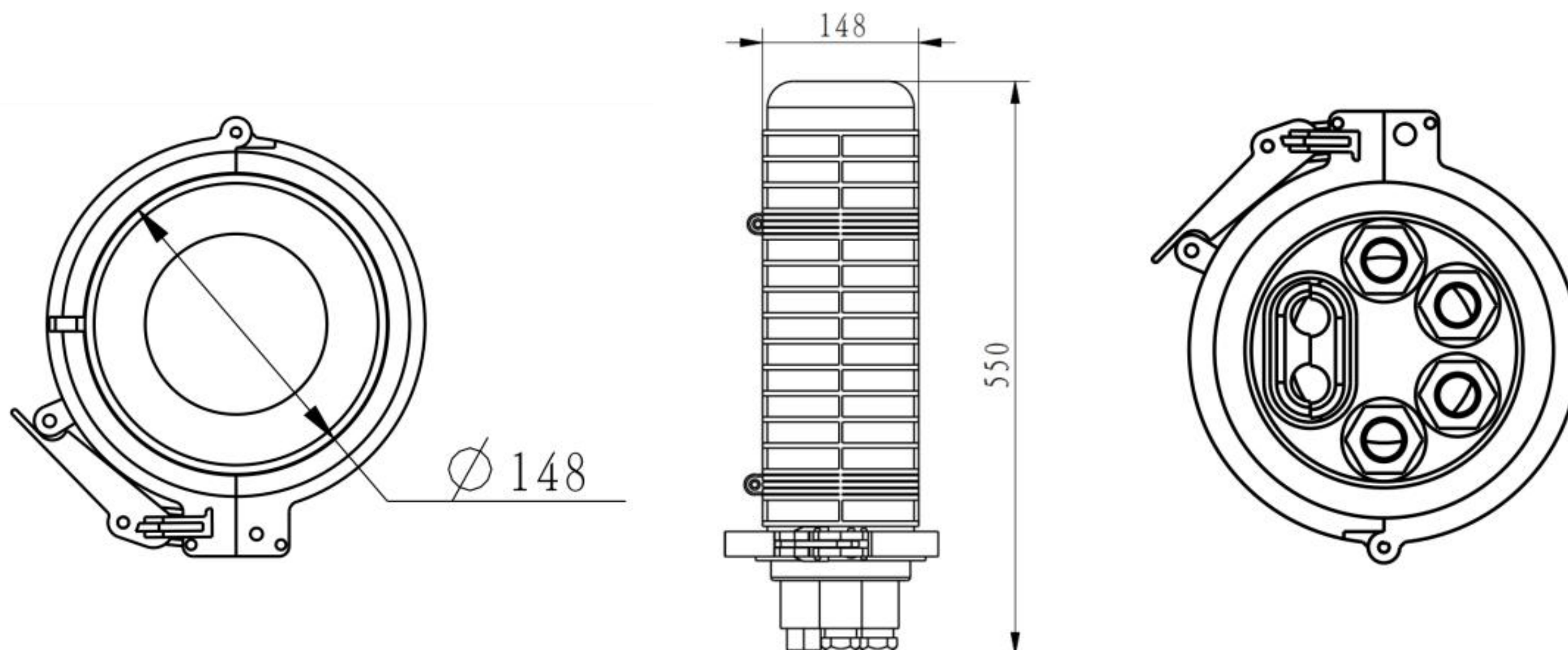
DRAKO Model No. FSC010 is one of the main equipment for user access points, applied for protective connection and distribution between two or more cables. The primary function is to connect distribution cable and indoor cable in the open air. It's widely used in communication systems, cable TV, optical cable network systems and others by virtue of steady structure, good sealing performance and easy construction.

Technical Index



| | |
|----------------------------------|------------------|
| Model No. | FSC010 |
| Capacity | 144 cores |
| Material | PC, PC+ABS,PP |
| Dimension(MM) | 540*Φ148 |
| Inlet cable port | Φ8-Φ18 |
| Color | Black |
| Protection Level | IP68 |
| Inlet/outlet | 2+4 |
| Sealing Method For Inlets | Screw mechanical |
| Outlet cable port | Φ8-Φ18 |

The dimension diagram:(mm)



Features

- * The body is made of high quality engineering plastic with good strength;
- * With good waterproof design, the fiber optical splice closure can be applied into underground and aerial.
- * Be equipped with 6 splice trays (each capacity is 24 cores).



- * Excellent fiber routing design ensures the radius curvature of the fiber well and enough fiber storage space.

Package Information

- 1 - Plastic bag size: 800*450mm
- 2 - Inner box with single corrugated size: 550*220*190mm
- 3 - Carton with double corrugated size: 455*395*565mm(4PCS/Box)
- 4 - Weight per carton : 13.5 KG