

Optical Fiber Cable Distribution Box - FDB040 Technical Specification

Overview

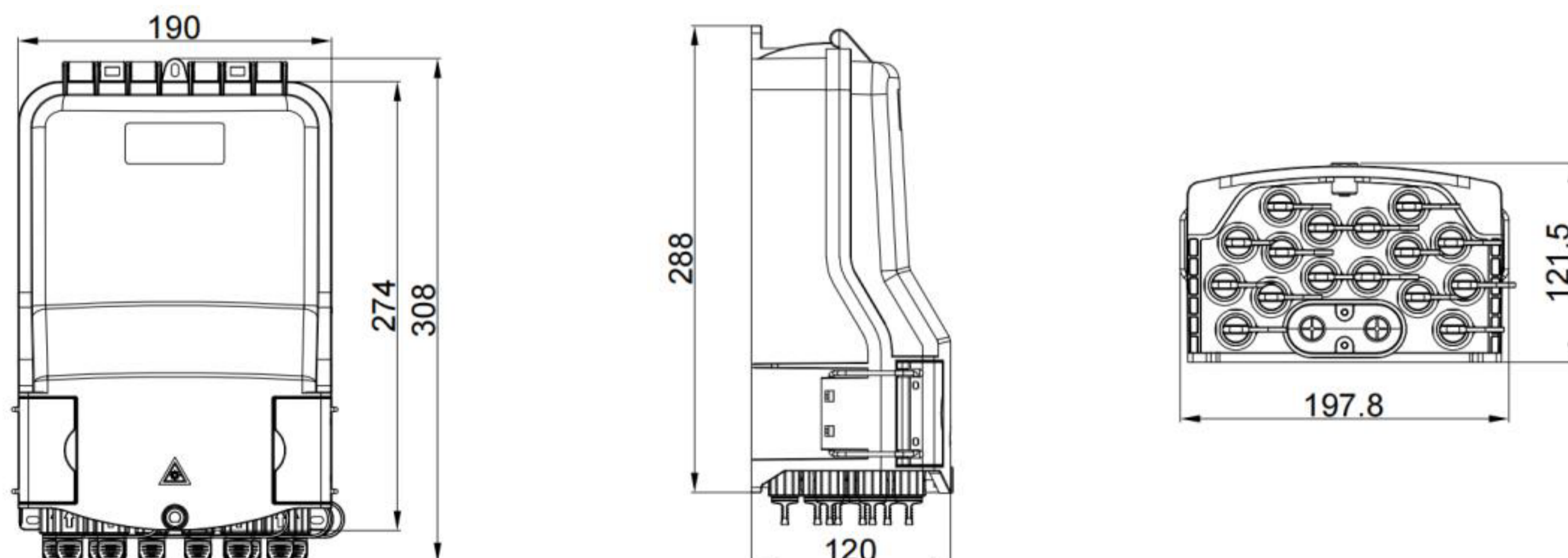
DRAKO Model No. FDB040 can connect the drop cable with feeder cable as the termination point in the Fttx network, which is cable to meet at least 16 users requirements. It can help splicing, splitting, storage and management with suitable space.

Technical Index



Model No.	FDB040
Capacity	16 cores
Material	PC+ABS, ABS
Dimension(L*W*D,MM)	308*190*121.5
Color	Black, Grey White..
Protection Level	IP65
Flame retardant performance	Non-flame retardant
Splitter	Can be with 2x1:8 tube Splitter

The dimension diagram:(mm)



Features

- * The body is made of high quality engineering plastic with good strength;
- * With safe special-shaped lock, the box can be opened easily and has good water-proof performance, suitable for indoor and outdoor natural environments.
- * With the independent rubber sealing plug for drop cable, better waterproof performance.
- * With double-page design, the box can be installed and maintained easily, the fusion and termination are completely separated;



- * The drop leaf can be installed 2 pcs of 1*8 tube splitter or 1 pcs of 1*16 tube splitter.

Suitable for optical cables with a diameter of $\Phi 8\text{mm} \sim \Phi 11\text{mm}$;

Package Information

- 1 - Plastic bag size: 350*400mm
- 2 - Inner box with single corrugated size: 320×200×130mm
- 3 - Carton with double corrugated size: 550×335×430mm(8PCS/Box)
- 4 - Weight per carton: ---

