

Terminal Box-Rosette - TBR003 Technical Specification

Overview

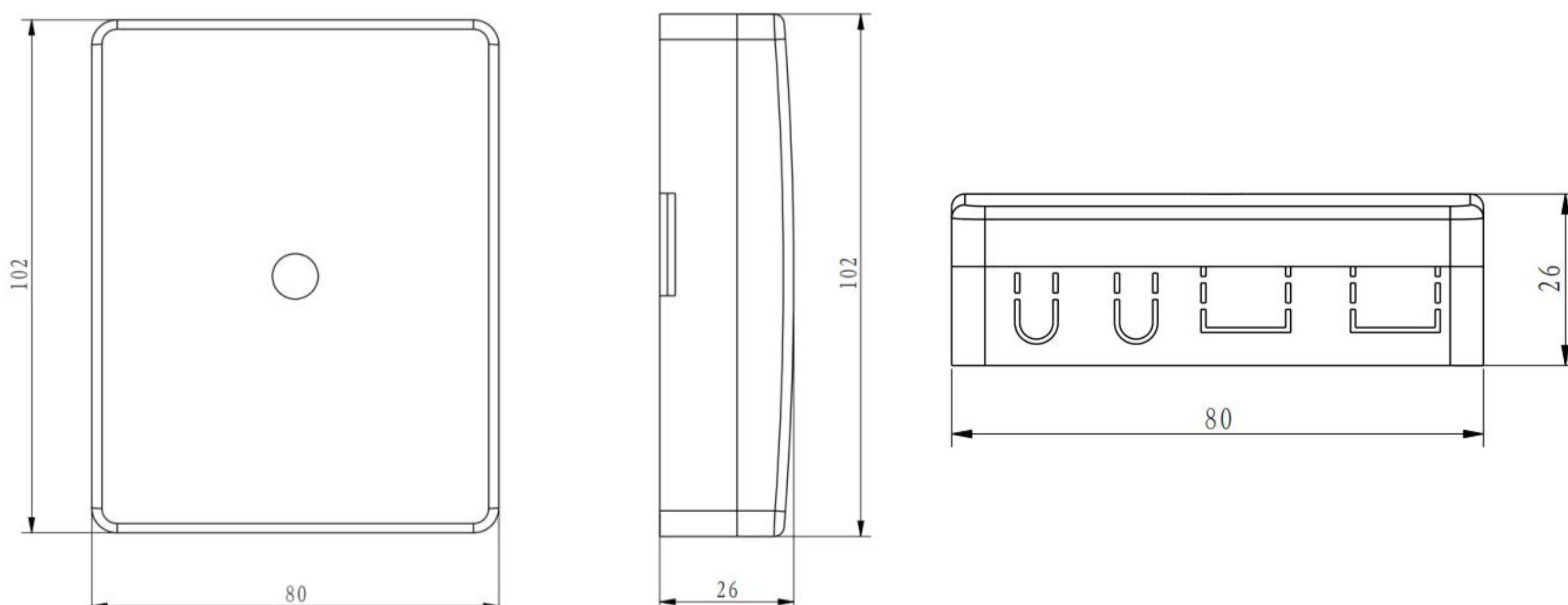
DRAKO Model No. TBR003 is a kind of end-user product to realize FTTH solutions, applying for home or work area to complete fiber access and port output, meanwhile, protecting the fiber core.



Technical Index

Model No.	TBR003
Capacity	2 cores
Dimension(L*W*D,MM)	102*80*26
Color	White
Material	PC+ABS, ABS,PC
Flame retardant performance	Non-flame retardant

The dimension diagram: (mm)



Features

- * The body is made of high quality engineering plastic with good strength;
- * With double-page design, the box can be installed and maintained easily, the fusion and termination are completely separated.



- * The bottom is provided with knock-out holes, which can accommodate up to two core optical fibers.



- * SC adaptor assemble available.



Package Information

- 1 - Plastic bag size: 120*120mm
- 2 - Inner box with single corrugated size: 270*215*90mm
- 3 - Carton with double corrugated size: 445*285*465mm(200PCS/Box)
- 4 - Weight per carton: 14.5KG